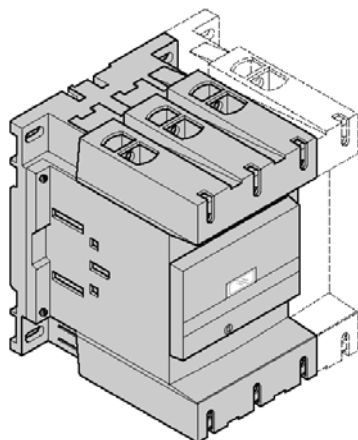
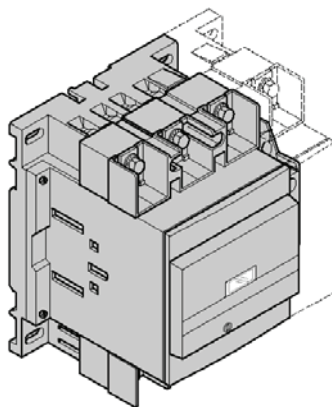


LC1-D115/D150/D170... C 交流接触器 AC Contactor



LC1-D11500... C
LC1-D15000... C
LC1-D17000... C

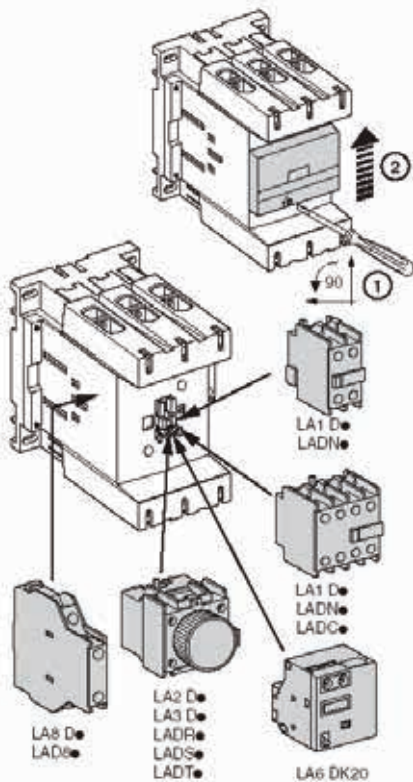


LC1-D115006... C
LC1-D150006... C
LC1-D170006... C

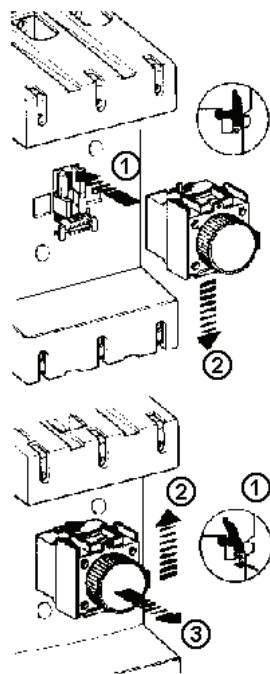
以下型号产品符合能效要求, 产品的吸持功率和能效等级分别如下:

The following products meet the Energy Efficiency requirements. The power consumption and the Energy Efficiency grades are:

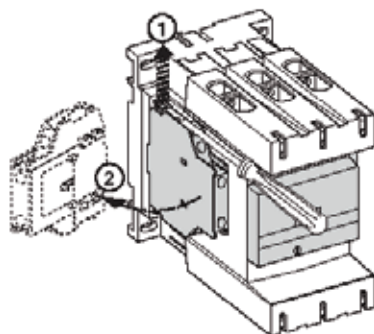
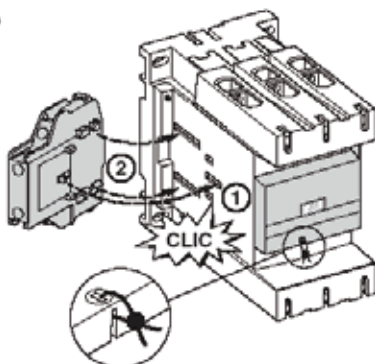
产品型号 (Product Type)	LC1D115..C	LC1D150..C	LC1D170..C
最大吸持功率低于(VA) (Maximum Power consumption lower than)	36.6	36.6	36.6
能效等级 (Energy efficiency grade)	3	3	3



LAD-N.
LAD-R.
LAD-S.
LAD-T.
LA6-D.

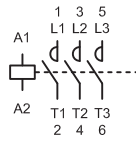


LA8 D
LAD

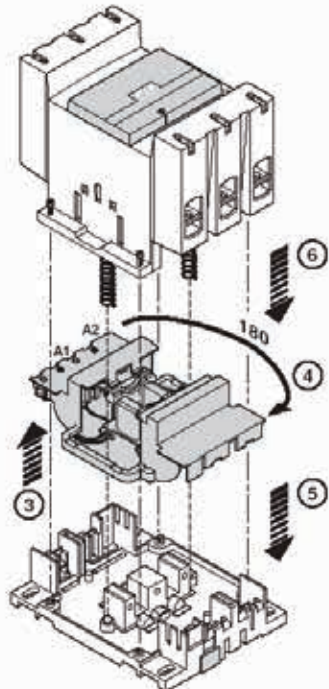
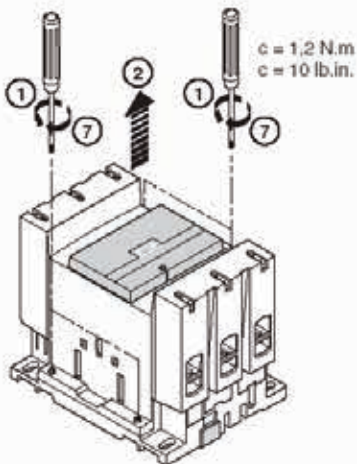
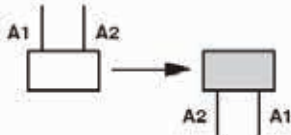
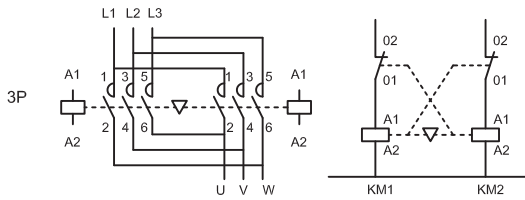


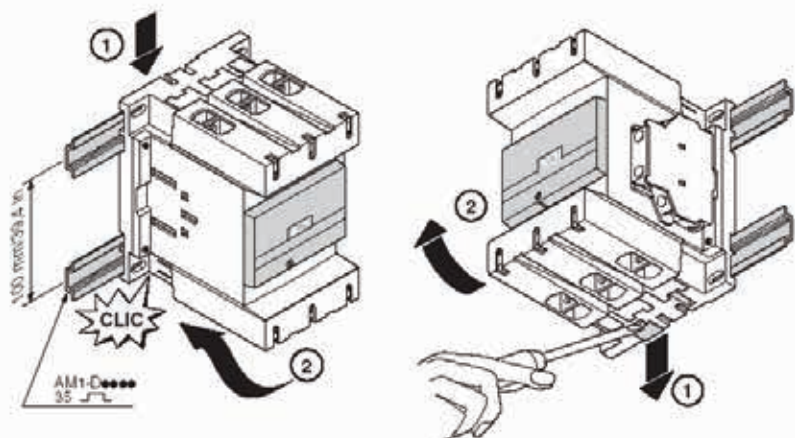
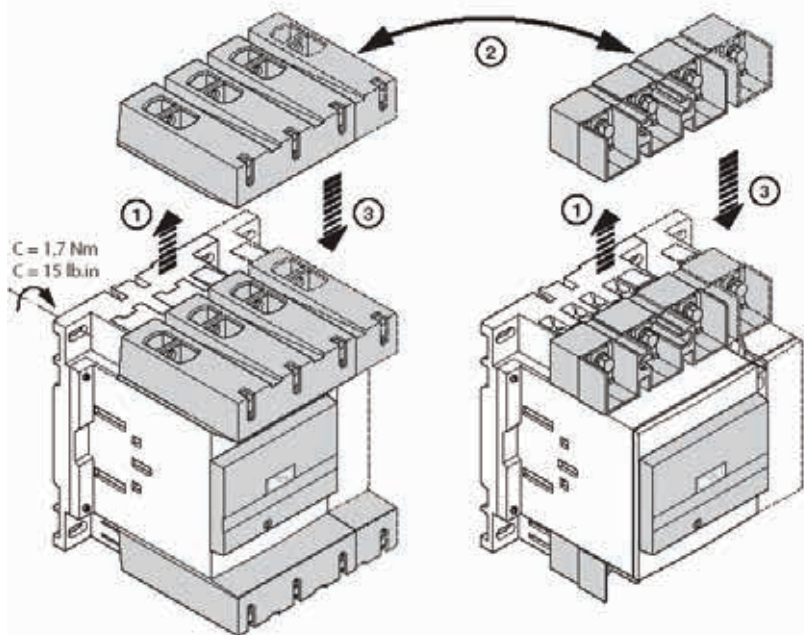
LC1-

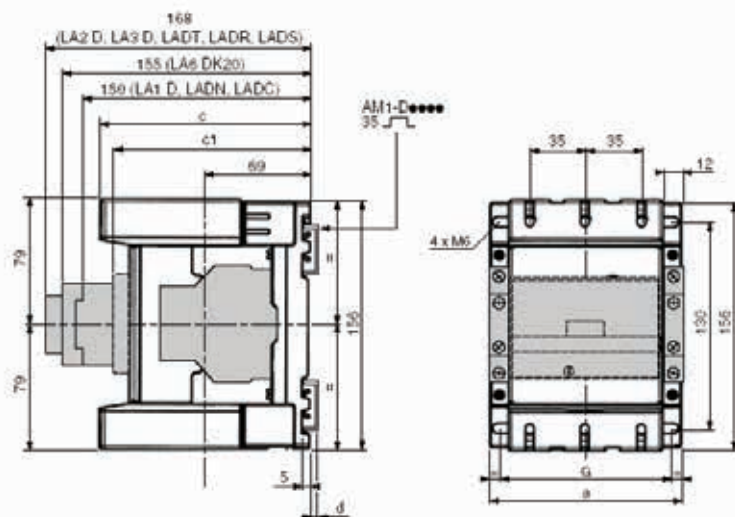
3P



LC2-

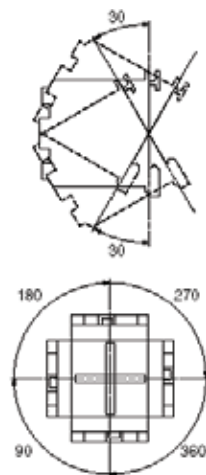






inches = mm x 0.0394

mm		LC1	
		3P	4P
a		120	155
c	D115●●	132	132
	D115●●6	115	115
	D150●●	132	-
	D150●●6	115	-
c1	D1156	122	122
	D1506	122	-
G	D115	96/110	130/144
	D150	96/110	-
d	AM1-DP200	2	2
	AM1-DE200	9,5	9,5



请注意

- 电气设备的安装、操作、维修和维护工作仅限于合格人员执行。
- Schneider Electric 不承担由于使用本资料所引起的任何后果。

PLEASE NOTE

- Electrical equipment should be installed, operated, serviced, and maintained only by qualified personnel.
- No responsibility is assumed by Schneider Electric for any consequences arising out of the use of this material.

⚠ ⚠ 危险 / DANGER

电击、爆炸或电弧闪光危险

- 在此电力设备上工作时,请先切断所有电源。
 - 请勿用手操作接触器。
 - 请勿去掉接触器的侧板。
- 不遵循上述说明将导致人员伤亡。**

HAZARD OF ELECTRIC SHOCK, EXPLOSION OR ARC FLASH

- Disconnect all power before servicing equipment.
 - Do not operate the contactor manually.
 - Do not remove the contactor's side panels.
- Failure to follow these instructions will result in death or serious injury.**

⚠ 警告 / WARNING

可能有引起火灾或触电的危险

- 支路保护设备断开, 可能表示故障电流已中断。
 - 如要降低起火或触电风险, 应检查控制器的载流部件或其他部件, 如有损坏, 应予以更换。
- 不遵循上述说明可能导致人员伤亡或设备损坏。**

RISK OF FIRE OR ELECTRIC SHOCK

- The opening of the branch-circuit protective device may be an indication that a fault current has been interrupted.
 - To reduce the risk of fire or electric shock, current-carrying parts and the other components of the controller should be examined and replaced if damaged.
- Failure to follow these instructions can result in death, serious injury, or equipment damage.**



TeSys LC1-D115/D150/D170...C 交流接触器
TeSys LC1-D115/D150/D170...C AC Contactor

产品合格证
Product certificate

本产品经检验，符合标准IEC60947/GB/T14048/GB21518
和企业标准Q/JBSQ3，准予出厂。

On inspection, this product is in accordance with standard
IEC60947/GB/T14048/GB21518 and enterprise standard
Q/JBSQ3 and permitted to leave the factory.

上海施耐德工业控制有限公司
Schneider Shanghai Industrial Control Co., Ltd

上海市普陀区绥德路629路，邮编：200331
No. 629, Suide Road, Putuo District, Shanghai 200331

Schneider Electric Industries SAS
35, rue Joseph Monier
CS 30323
F - 92506 Rueil Malmaison Cedex
www.se.com

Schneider Electric Limited
Stafford Park 5
Telford, TF3 3BL
United Kingdom
www.se.com/uk

