

**⚠️ ⚠️ DANGER / 危险**

**HAZARD OF ELECTRIC SHOCK,  
EXPLOSION, OR ARC FLASH**  
Disconnect all power before servicing  
equipment.

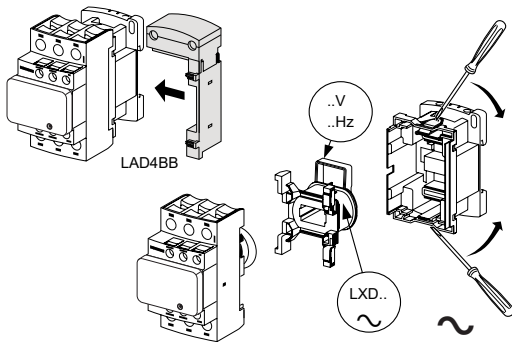
**Failure to follow these instructions will  
result in death or serious injury.**

电击、爆炸或弧闪的危险  
在此电力设备上工作时,请  
先切断所有电源  
不遵循上述说明将导致人员伤亡

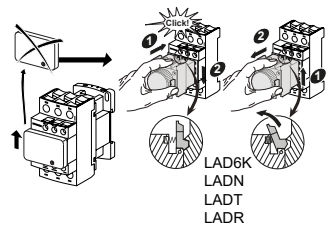
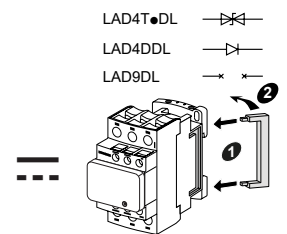
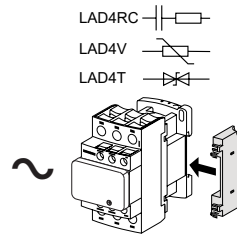
**产品合格证**

本产品经检验,符合标准 IEC60947/  
GB/T14048/GB21518,准予出厂。

TeSys LC1D...C 交流接触器  
TeSys CAD...C 控制继电器



当用于电动机启动时,请选用Schneider的LR系列热继电器。  
(For Motor Starting Use Schneider Overload Relay Series LR)



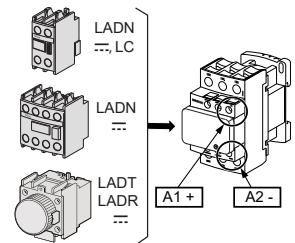
当有NTD熔断丝或额定运行短路分断能力不小于5000A的短路器保护下，  
 可用于600V，预期短路电流为5000A的电路。(Suitable for use on a  
 circuit capable of delivering not more than 5000 rms sym. amps.  
 600V max. when protected by NTD class fuses, or when protected  
 by a circuit breaker having a interrupting rating not less than  
 5000rms. amps. 600v max.)

以下型号产品属于符合能效要求，产品的吸持功率和能源效率等级如下：  
 The following products meet the Energy Efficiency requirements. The power consumption and Energy Efficiency grades are:

产品型号 (Product Type)	LC1D09..C	LC1D12..C	LC1D18..C	LC1D25..C	LC1D32..C	LC1D38..C
最大吸持功率低于 (VA) (Maximum power consumption lower than)	9,5	9,5	9,5	9,5	9,5	9,5
能效等级 (Energy efficiency grade)	3	3	3	2	2	2

**Schneider Electric Industries SAS**  
 35, rue Joseph Monier  
 CS 30323  
 F - 92506 Rueil Malmaison Cedex  
 www.se.com  
 CH00989-10  
 07/2021

**Schneider Electric Limited**  
 Stafford Park 5  
 Telford, TF3 3BL  
 United Kingdom  
 www.se.com/uk



**Schneider Electric Industries SAS**  
 35, rue Joseph Monier  
 CS 30323  
 F - 92506 Rueil Malmaison Cedex

[www.se.com/contact](http://www.se.com/contact)

W9 CH00989 0611 A02