

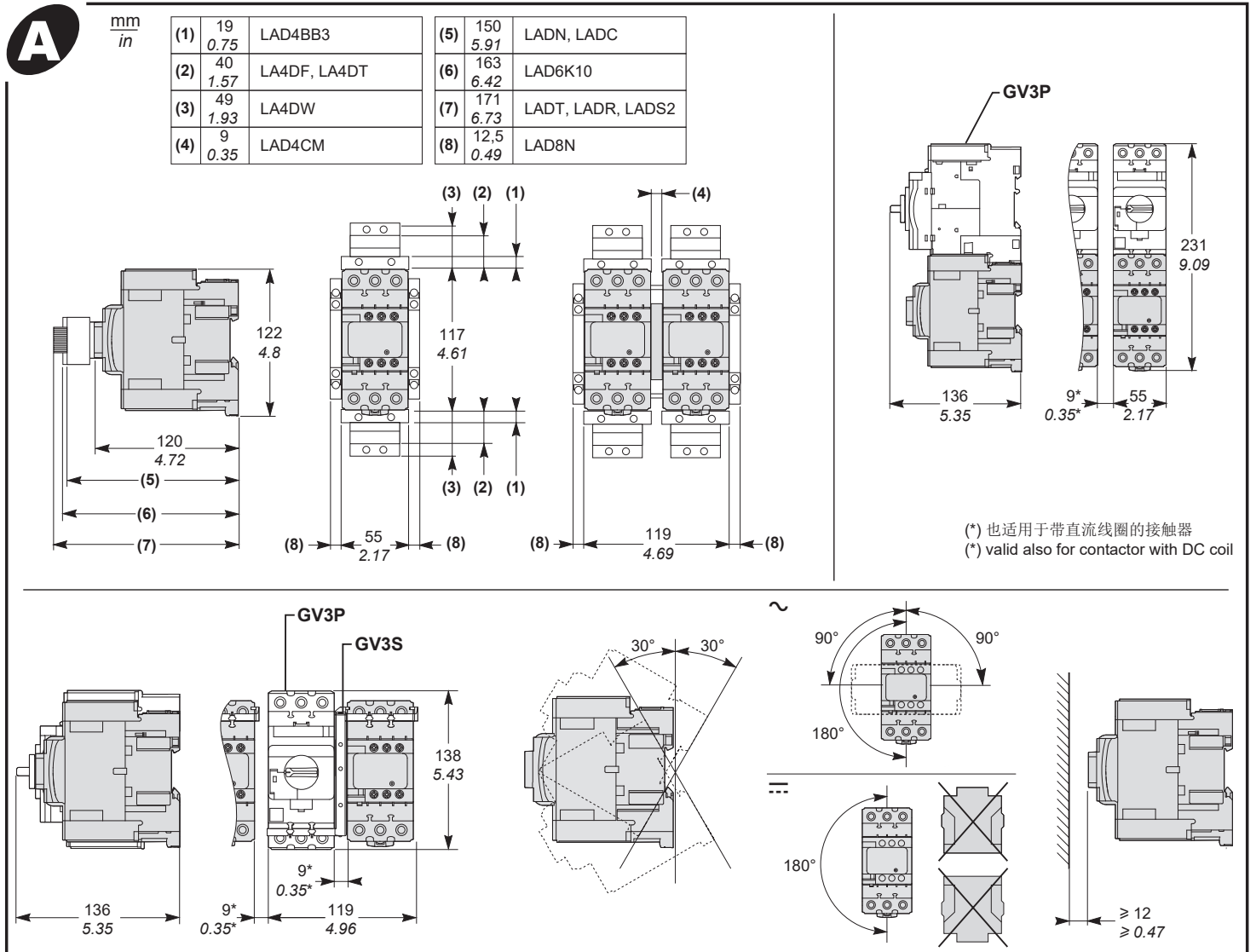
产品合格证 Product certification

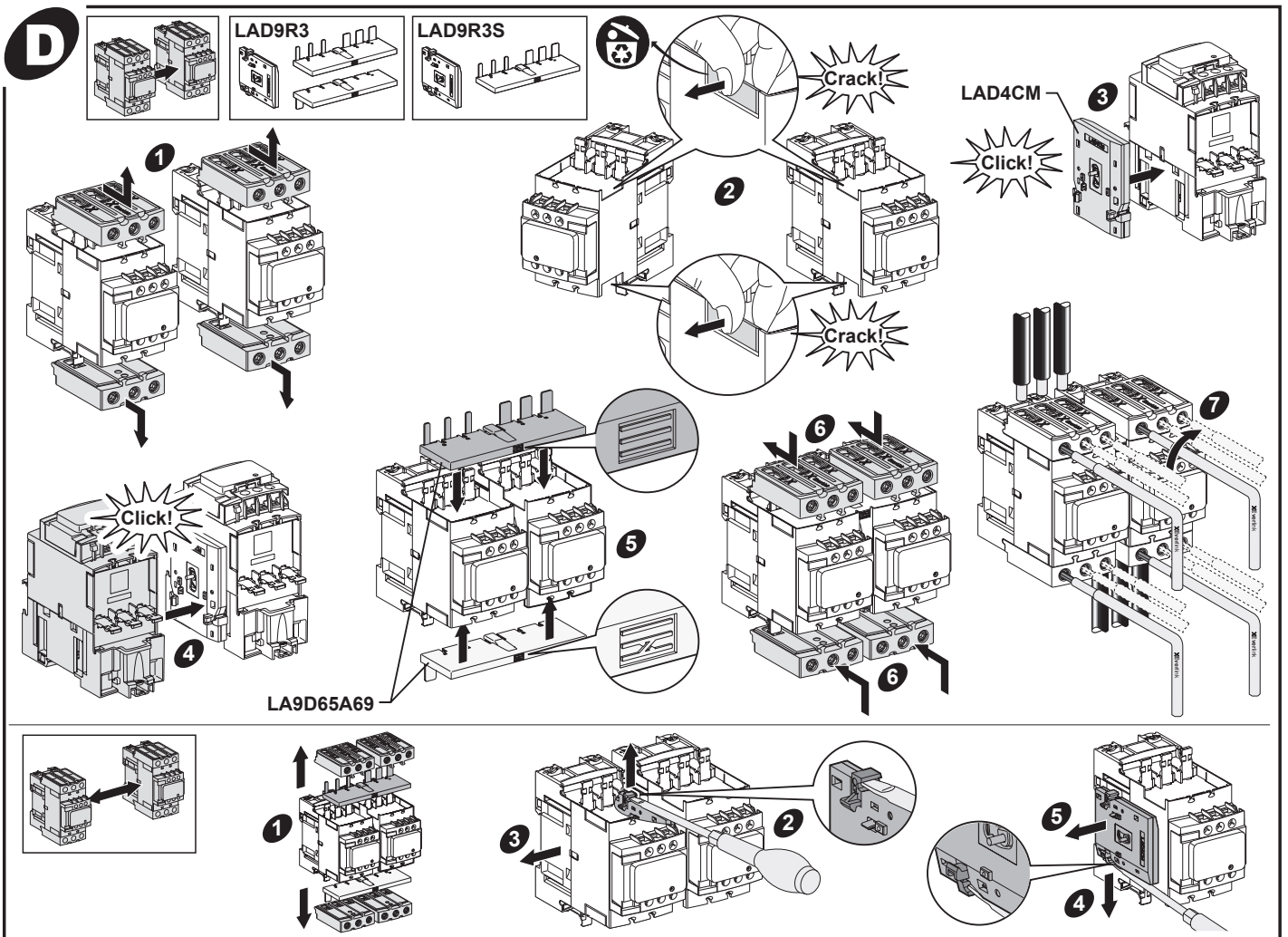
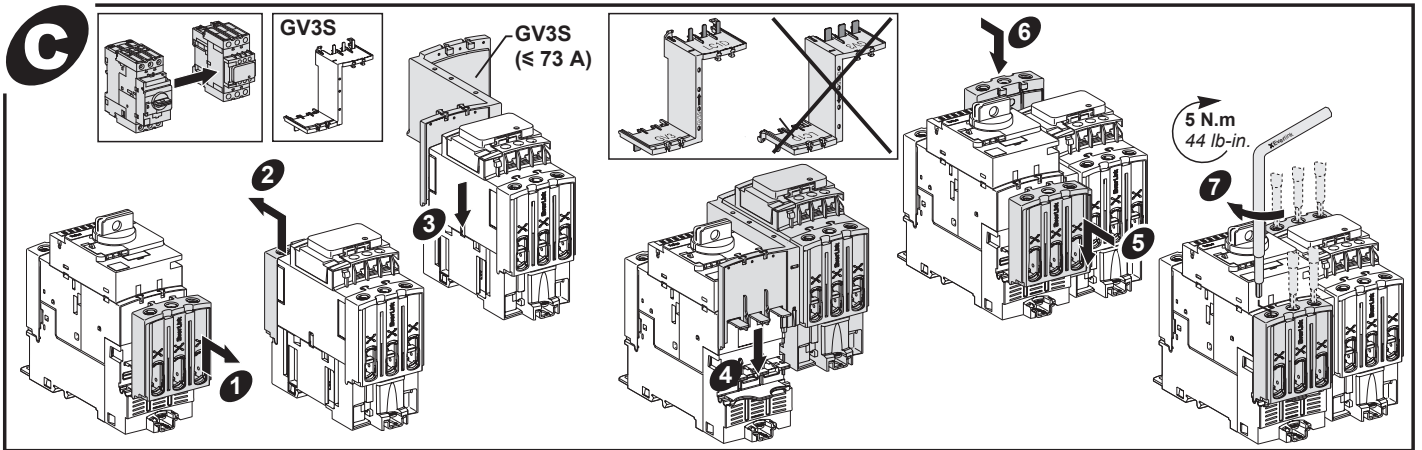
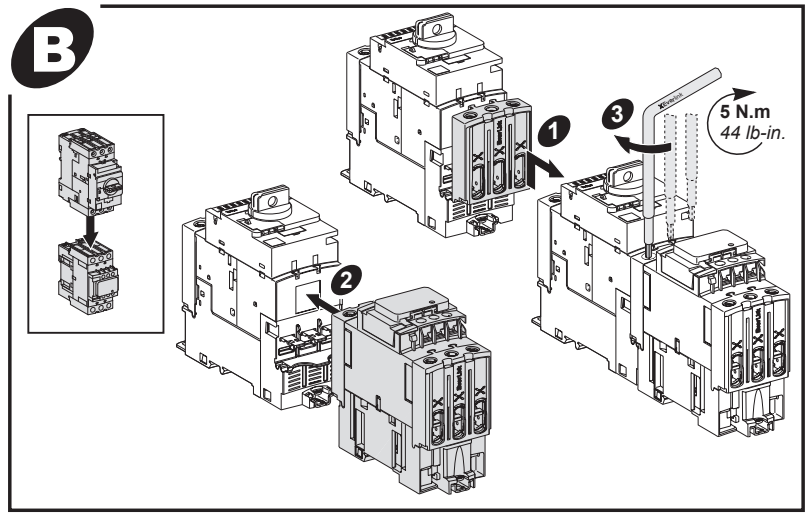
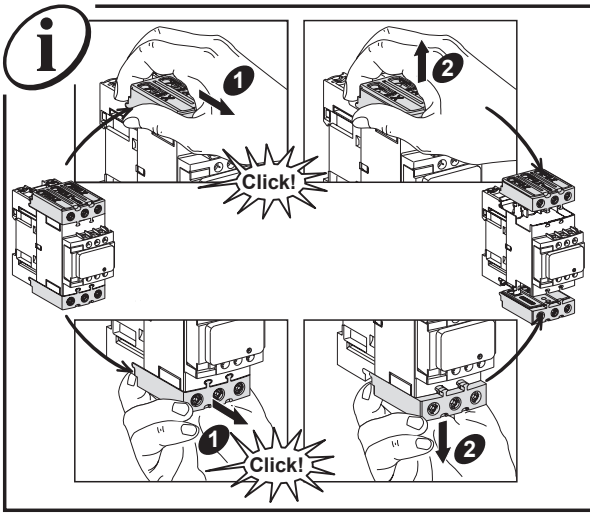
本产品经检验，符合标准IEC60947/GB/T14048/GB21518，准予出厂。
On inspection, this product is in accordance with standard IEC60947/GB/T14048/GB21518 and permitted to leave the factory.

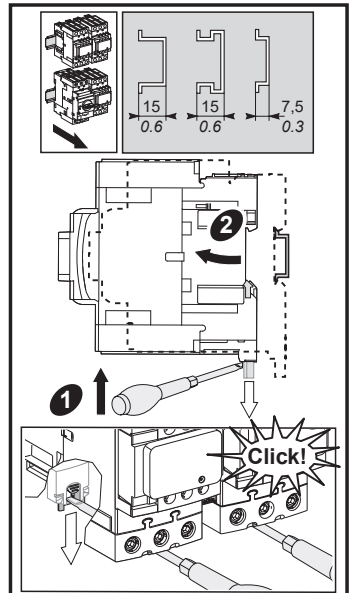
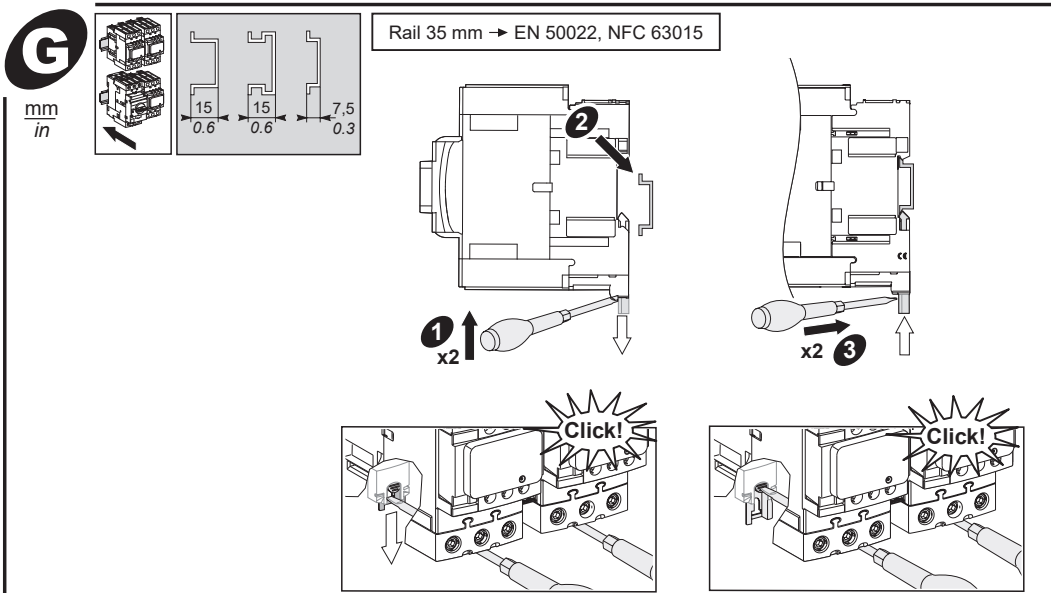
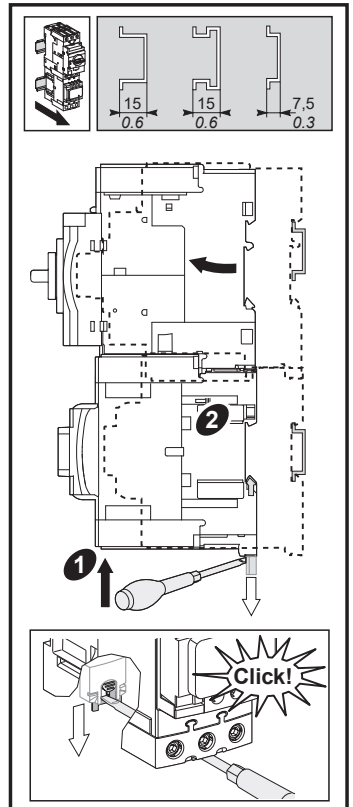
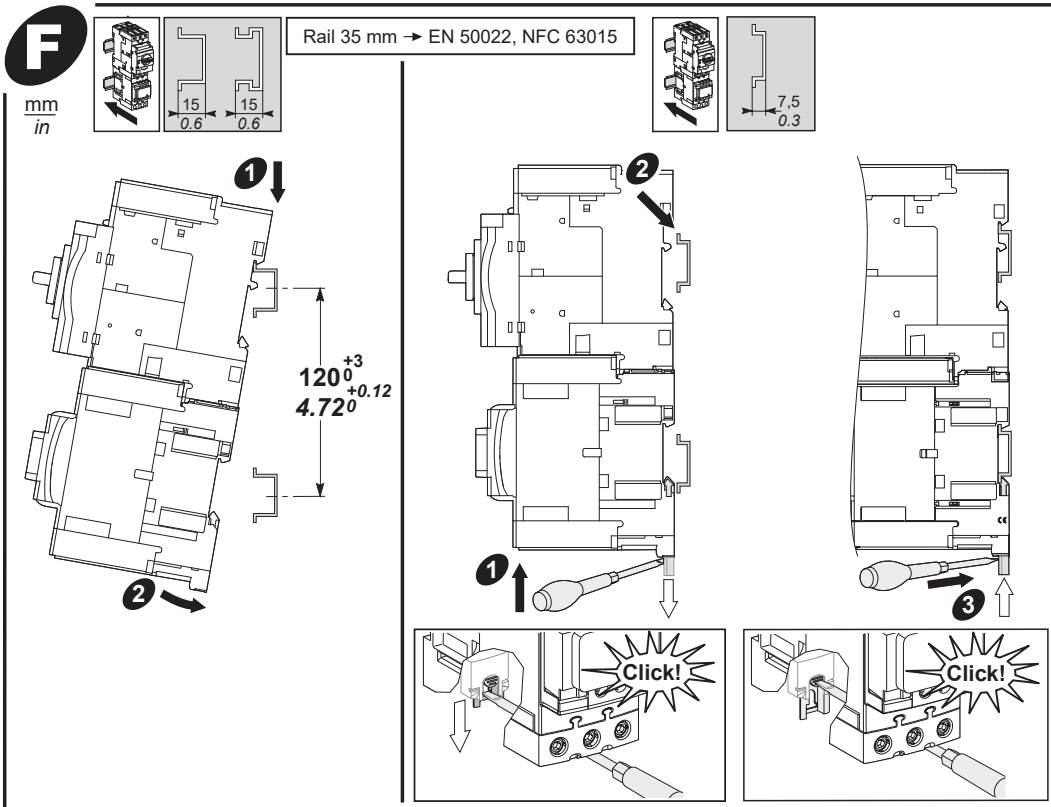
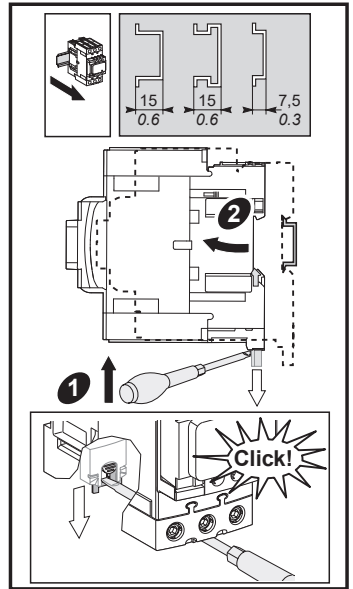
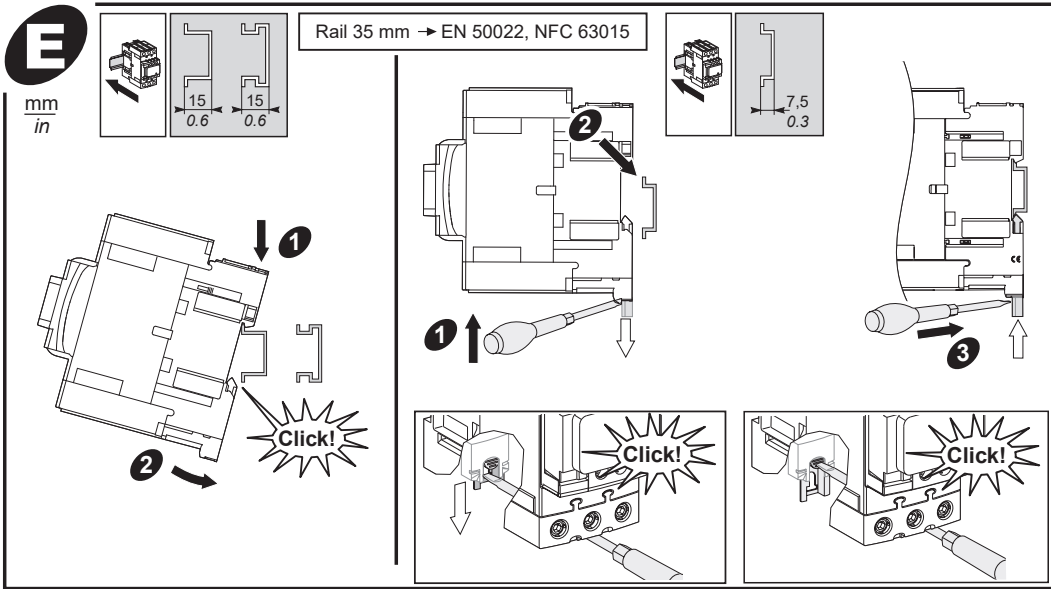
⚠️ 危险 / DANGER

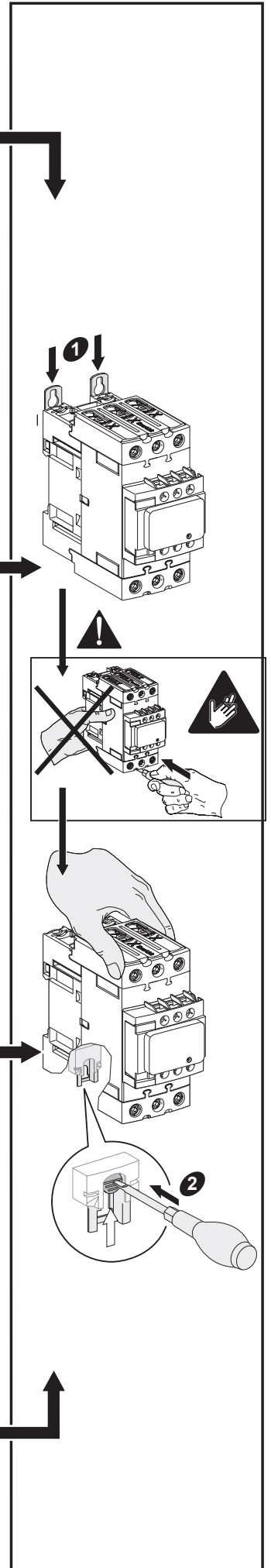
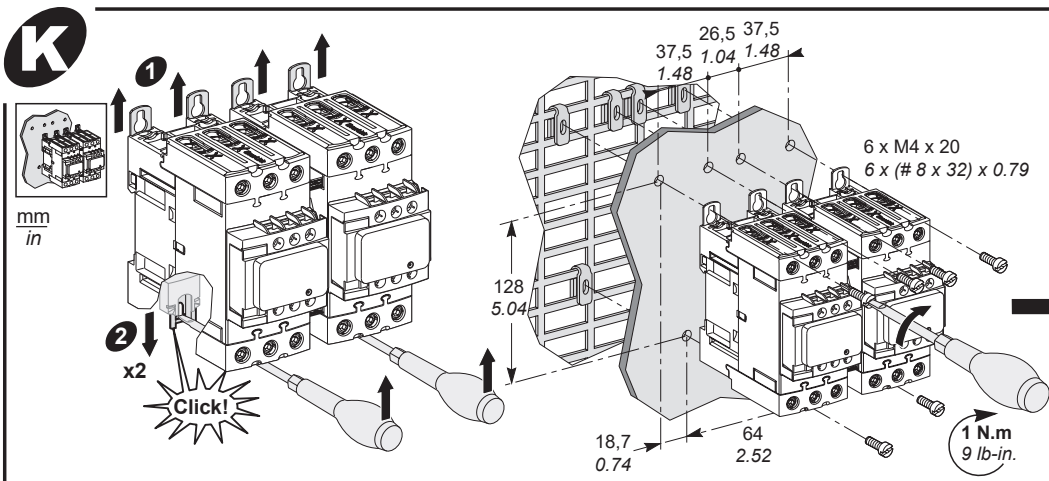
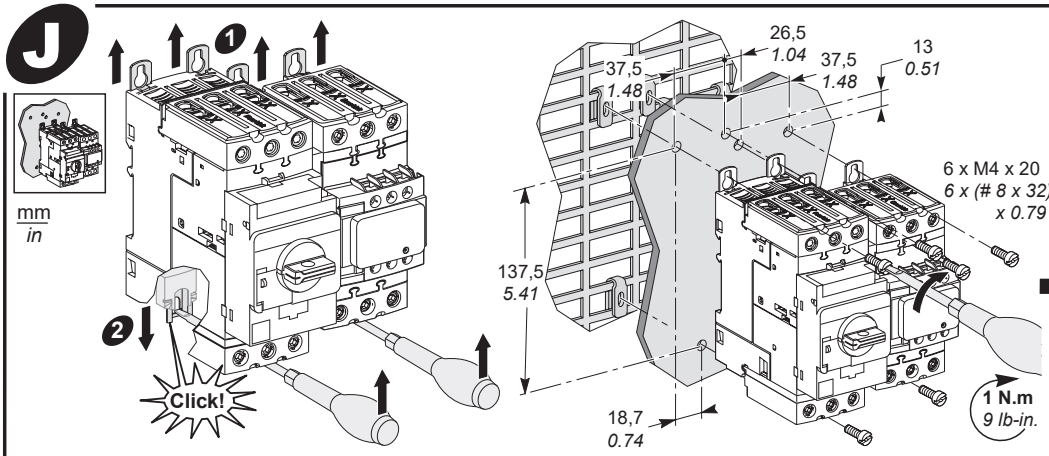
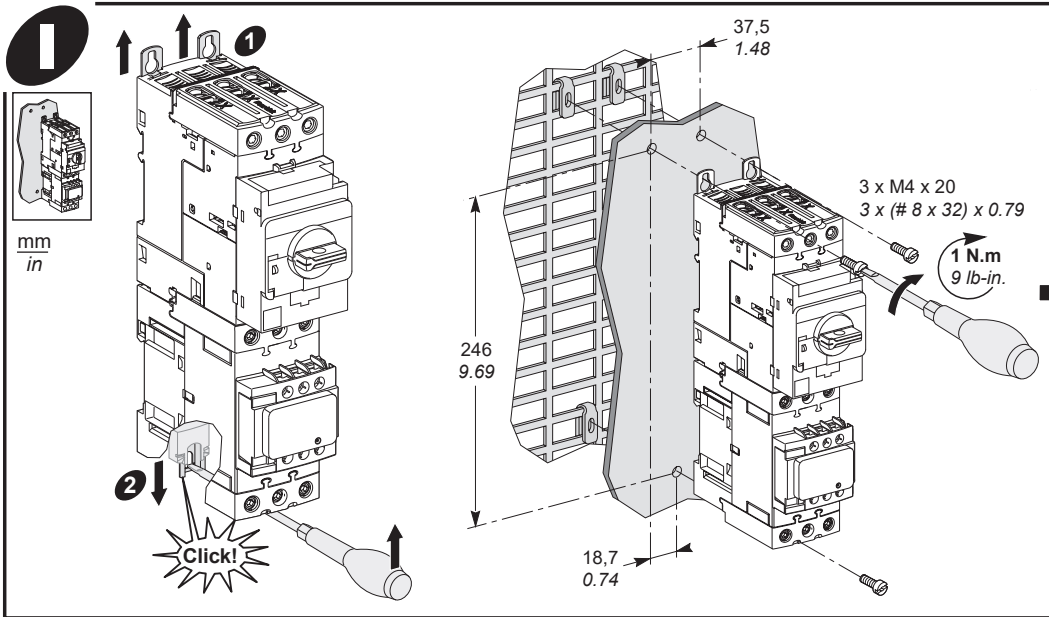
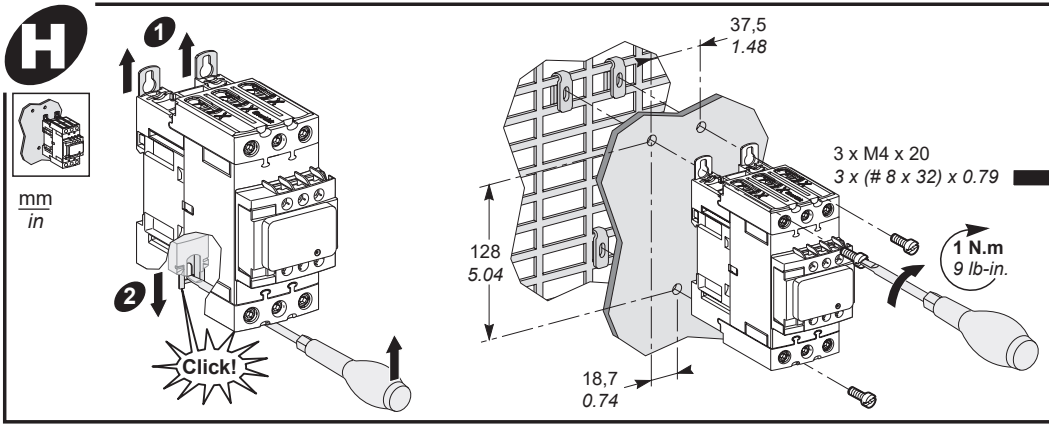
电击、爆炸或电弧闪光危险
在此电力设备上工作时，请先切断所有电源
不遵循上述说明将导致人员伤亡。

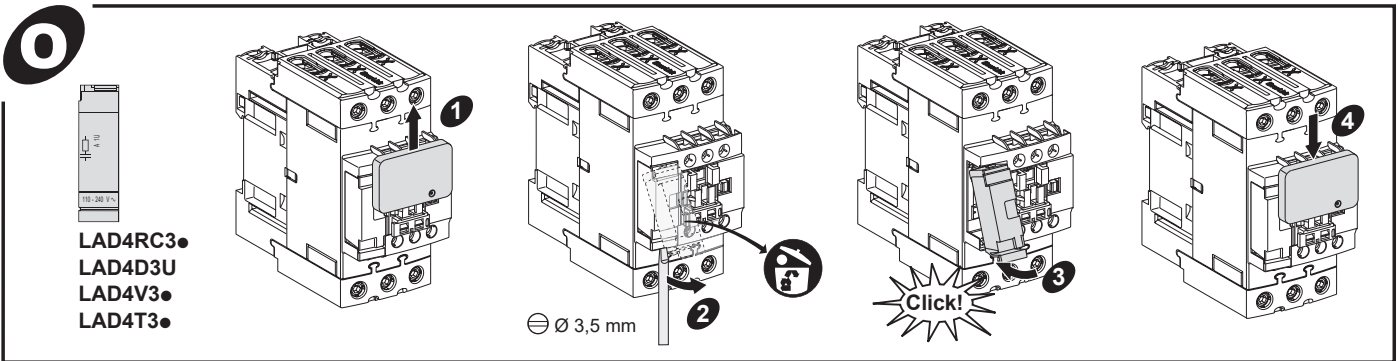
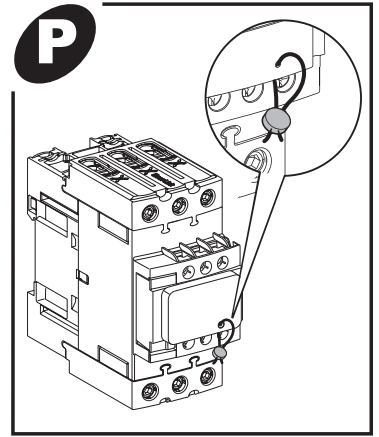
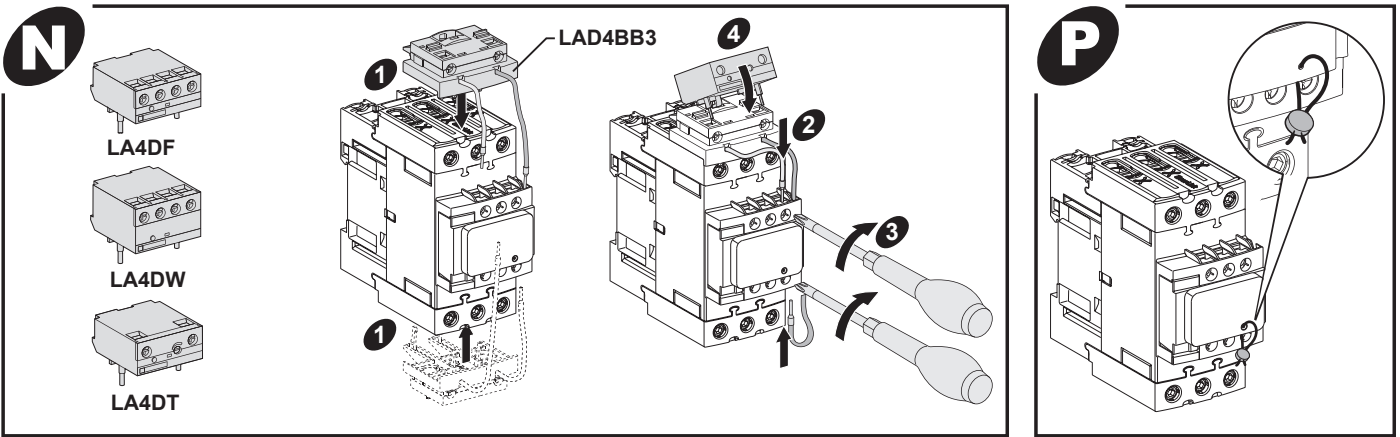
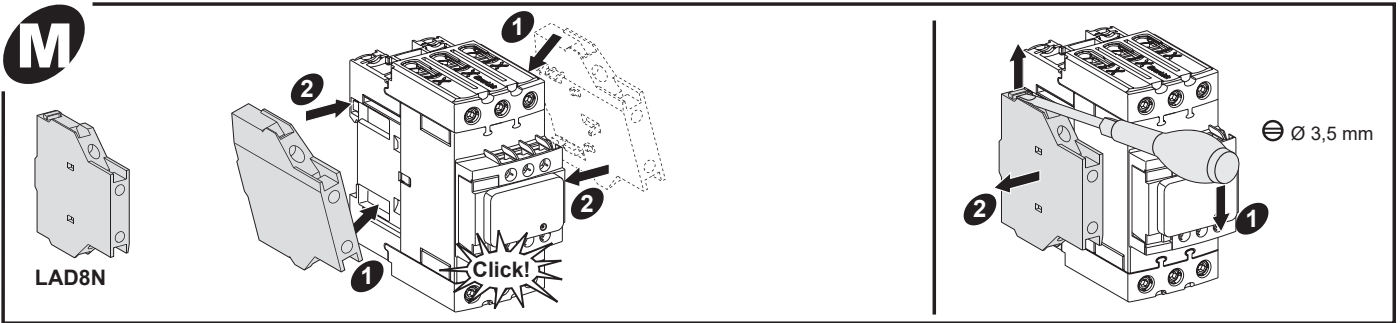
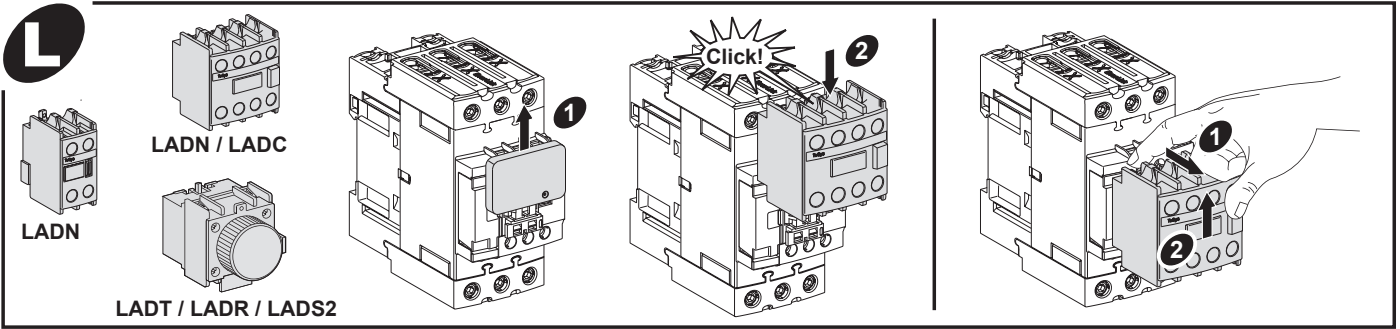
HAZARD OF ELECTRIC SHOCK, EXPLOSION, OR ARC FLASH
Disconnect all power before servicing equipment.
Failure to follow these instructions will result in death or serious injury.











以下型号产品符合能效要求，产品的吸持功率和能效等级分别如下：

The following products meet the Energy Efficiency requirements. The power consumption and the Energy Efficiency grades are:

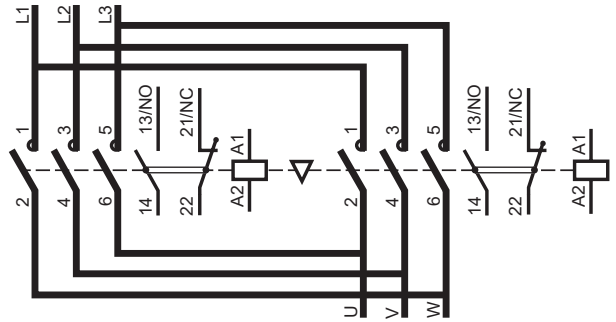
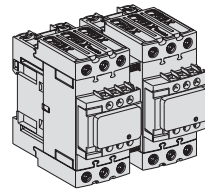
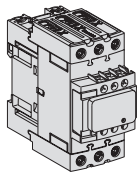
产品型号 (Product Type)	LC1D40A	LC1D50A	LC1D65A
最大吸持功率低于(VA) (Maximum power consumption lower than)	36.6	36.6	36.6
能效等级 (Energy efficiency grade)	2	2	2

进行更换时，产品标牌上的电气特性需要检查核对。

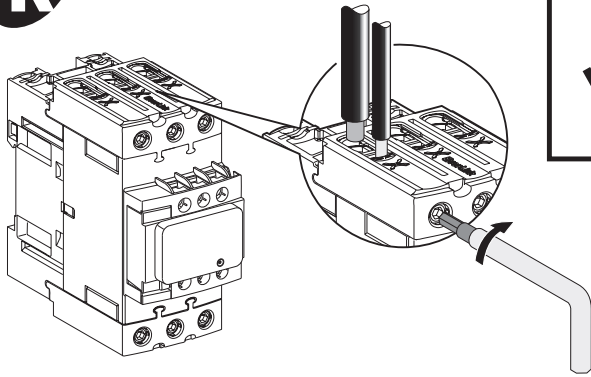
Refer to information on device label when ordering replacement parts.



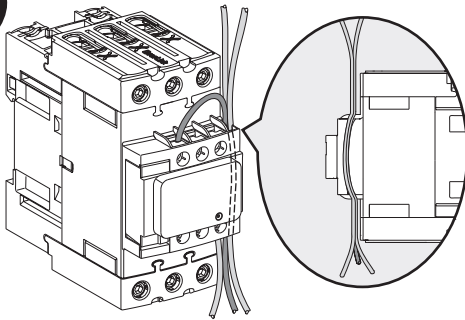
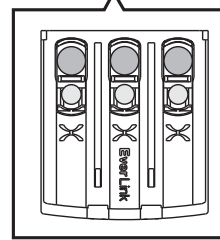
LC1D●●A



LC1D●●A



16 mm	1...25 mm ²	2 x 1...25 mm ²	5 N.m			
16 mm	35 mm ²	1 x 1...25 mm ² + 1 x 35 mm ²	8 N.m	4 mm		
0.63 in.	AWG 16...2	1 x AWG 16...4 + 1 x AWG 16...2	70 lb-in			



10 mm	1...4 mm ²	1...2,5 mm ²	1,7 N.m			
0.4 in.	AWG 16...12	AWG 16...14	15 lb-in	PH 2		

Additional ratings	Lighting Tungsten	Lighting Ballast	Definite Purpose LRA				Elevator Duty HP ratings						Hi-Fault Class J Fuse		Hi-Fault with CB	
			FLA	240 V	480 V	600 V	1Ph 120 V	1Ph 240 V	3ph 200 V	3ph 240 V	3ph 480 V	3ph 600 V	600 V	480 V	600 V	
Device	600 V	600 V	FLA	240 V	480 V	600 V	1Ph 120 V	1Ph 240 V	3ph 200 V	3ph 240 V	3ph 480 V	3ph 600 V	600 V	480 V	600 V	
LC1D40A	60 A	60 A	40 A	240 A	200 A	160 A	-	-	-	-	-	-	100 kA	65 kA	50 kA	
LC1D50A	70 A	70 A	50 A	300 A	250 A	200 A	3 hp	7.5 hp	10 hp	15 hp	25 hp	30 hp	100 kA	65 kA	50 kA	
LC1D65A	70 A	80 A	65 A	390 A	325 A	260 A	3 hp	10 hp	15 hp	20 hp	25 hp	30 hp	100 kA	65 kA	50 kA	

结合标签LADUL1一起使用时，适用High-Fault Short Circuit额定值。
High-Fault Short Circuit ratings apply when used with label LADUL1.

警告 / WARNING

可能有引起火灾或触电的危险
● 支路保护设备断开，可能表示故障电流已中断。
● 如要降低起火或触电风险，应检查控制器的载流部件或其他部件，如有损坏，应予以更换。
不遵循上述说明可能导致人员伤亡或设备损坏。

HAZARD OF FIRE OR ELECTRIC SHOCK
● The opening of the branch-circuit protective device may be an indication that a fault current has been interrupted.
● To reduce the hazard of fire or electric shock, current-carrying parts and the other components of the controller should be examined and replaced if damaged.
Failure to follow these instructions can result in death, serious injury, or equipment damage.

Schneider Electric Industries SAS
35 Rue Joseph Monier
92506 Rueil Malmaison
France

施耐德工业控制有限公司
SCHNEIDER SHANGHAI INDUSTRIAL CONTROL CO.,LTD.
中国上海普陀区绥德路629号 邮政编码 200331
629 SUIDE ROAD, PUTUO, SHANGHAI 200331, CHINA