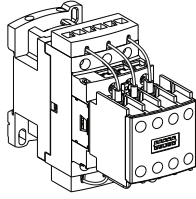
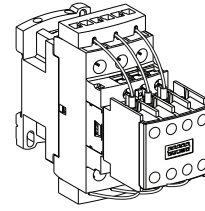


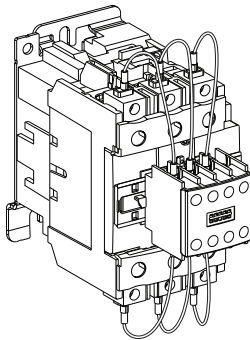
LC1DGK...C



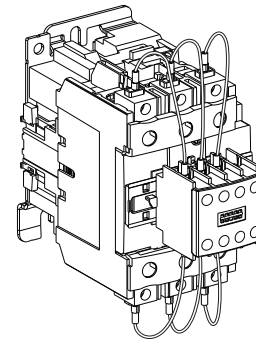
LC1DMK...C



LC1DPK...C, LC1DTK...C



LC1DWK...C



⚠️ DANGER / 危险

HAZARD OF ELECTRIC SHOCK, EXPLOSION, OR ARC FLASH

- Disconnect all power before servicing equipment.
- Ensure the tightening torque corresponds to value specified on the device nameplate.
- Use cable ends.
- Retighten the contactor terminals after the first month of operation, then once a year thereafter.
- Handle the resistance wires with care to avoid breaking them at the tightened terminals.

Failure to follow these instructions will result in death or serious injury.

可能有触电、爆炸或者电弧灼伤的危险

- 在此电力设备上工作时请先切断所有电源。
- 确保扭矩与设备铭牌上的值对应。
- 使用线缆末端。
- 运行一个月之后，需要重新拧紧接触器端子，此后需每年重新拧紧一次。
- 处理电阻接线时要小心，以免弄断拧紧端子处的接线。

不遵循上述说明将导致人员伤亡。

产品合格证

本产品经检验，符合标准IEC60947/
GB/T14048和企业标准Q/JBSQ8，准予出厂。

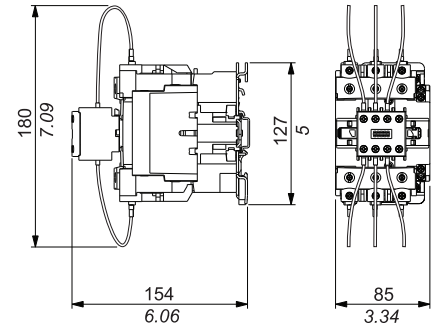
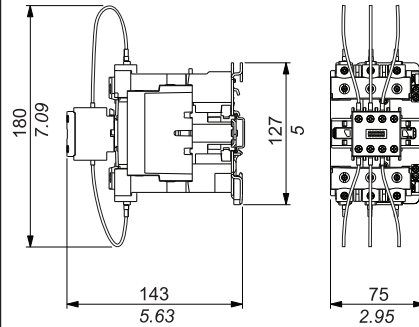
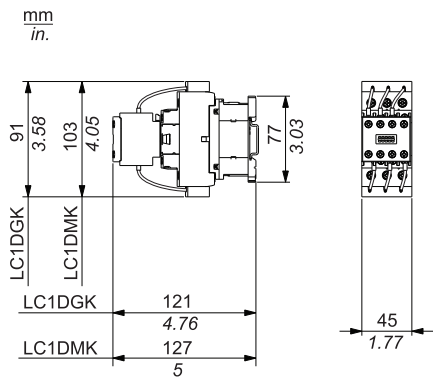
上海施耐德工业控制有限公司
Schneider Shanghai Industrial Control Co.,Ltd.
上海市普陀区绥德路629号
No.629, Suide Road, Putuo District, Shanghai 200331

Schneider Electric Industries SAS
35 Rue Joseph Monier
92506 Rueil Malmaison
France

A

LC1DGK...C, LC1DMK...C LC1DPK...C, LC1DTK...C

LC1DWK...C

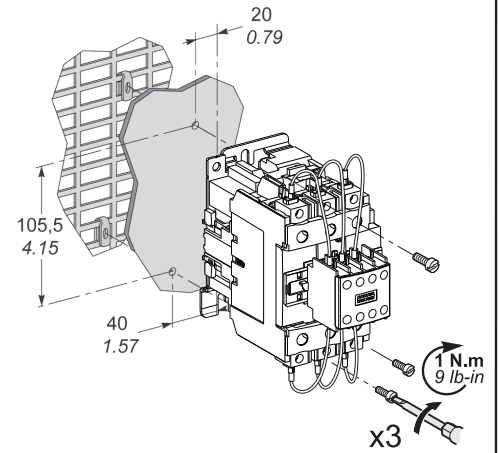
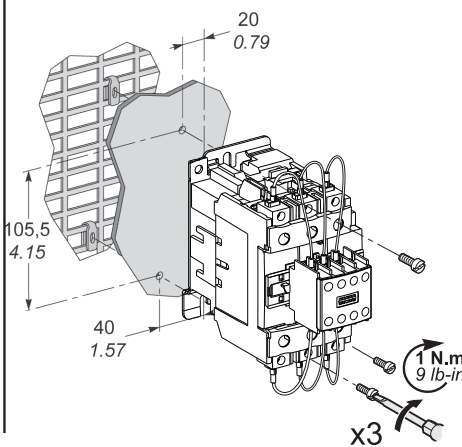
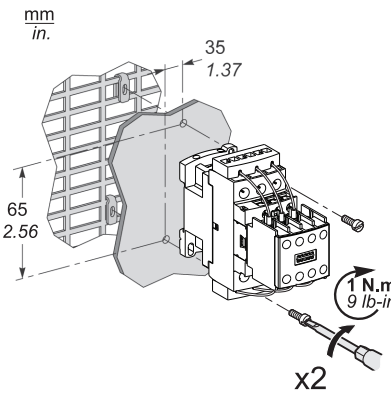


B

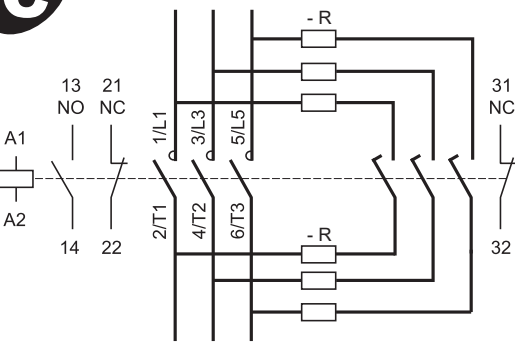
LC1DGK...C, LC1DMK...C

LC1DPK...C, LC1DTK...C

LC1DWK...C



C



A1/A2 13/14 21/22 31/32									
LC1DGK LC1DMK	8 mm	1...4 mm ²	1...4 mm ²	1...4 mm ²	1...4 mm ²	1...2,5 mm ²	1,7 N.m	PH 2/PZ 2	
LC1DPK LC1DTK	10 mm	1...4 mm ²	1...4 mm ²	1...4 mm ²	1...4 mm ²	1...2,5 mm ²	1,7 N.m	PH 2/PZ 2	
LC1DWK	10 mm	1...4 mm ²	1...4 mm ²	1...2,5 mm ²	1...2,5 mm ²	1...2,5 mm ²	1,7 N.m	PH 2/PZ 2	

L1/L2/L3 T1/T2/T3											
LC1DGK	8 mm	1,5...6 mm ²	1,5...6 mm ²	1,5...6 mm ²	1,5...6 mm ²	1...6 mm ²	1...4 mm ²	1,7 N.m	-	-	-
LC1DMK	10 mm	1,5...10 mm ²	2,5...10 mm ²	2,5...10 mm ²	2,5...10 mm ²	1...10 mm ²	1,5...6 mm ²	2,5 N.m	-	-	-
LC1DPK LC1DTK	16 mm	1...35 mm ²	1...25 mm ² 和 1...35 mm ²	1...35 mm ²	1...25 mm ² 和 1...35 mm ²	1...35 mm ²	1...25 mm ² 和 1...35 mm ²	-	5 N.m ≤ 25 mm ² 8 N.m: 25~35 mm ²	-	4 mm
LC1DWK	20 mm	4...50 mm ²	4...25 mm ²	4...50 mm ²	4...25 mm ²	4...50 mm ²	4...16 mm ²	-	-	12 N.m	4 mm