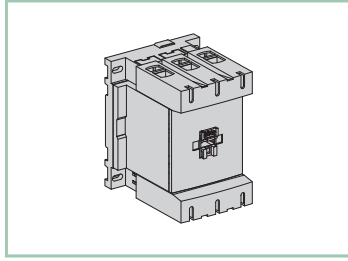


Contacteur

接触器

产品合格证

本产品经检验，符合标准
IEC60947/GB/T14048和企业标准
Q/JBSQ3，准予出厂



Schneider Electric

HRB44996-06-D01

上海施耐德工业控制有限公司
Schneider Shanghai Industrial Control Co., Ltd

上海市普陀区绥德路629号
No. 629, Suide Road, Putuo District, Shanghai 200331

Schneider Electric Industries SAS
35 Rue Joseph Monier
92506 Rueil Malmaison
France

www.se.com

© 2019 Schneider Electric. All rights reserved.

▲▲ DANGER / 危险

HAZARD OF ELECTRIC SHOCK, EXPLOSION, OR ARC FLASH
Disconnect all power before servicing equipment.
Failure to follow these instructions will result in death or serious injury.

电击、爆炸或电弧闪光危险
在此电力设备上工作时，请先切断所有电源。
不遵循上述说明将导致人员伤亡。

LC1E120...N
LC1E160...N

LC1E200...N
LC1E250...N
LC1E300...N
LC1E400...N
LC1E500...N

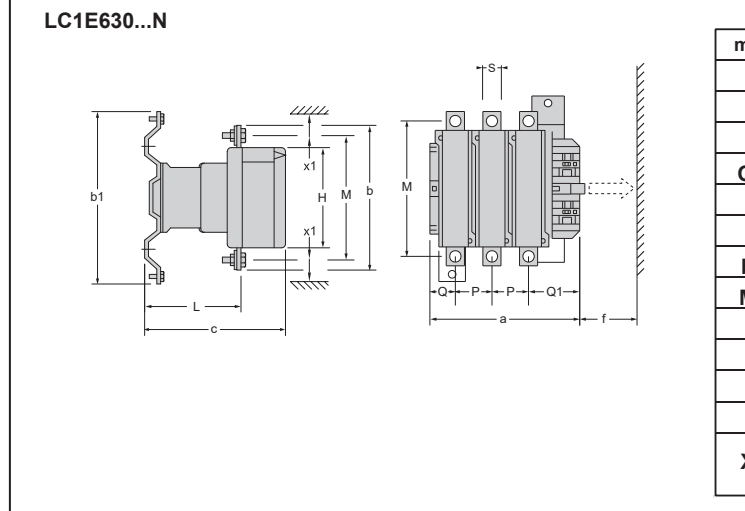
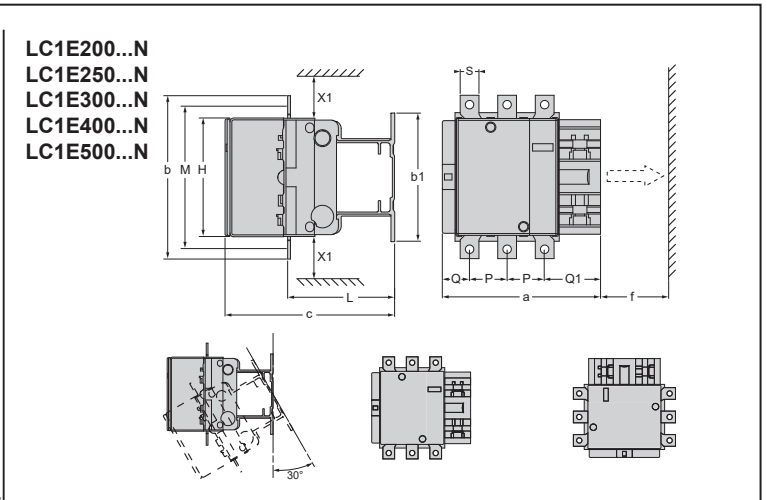
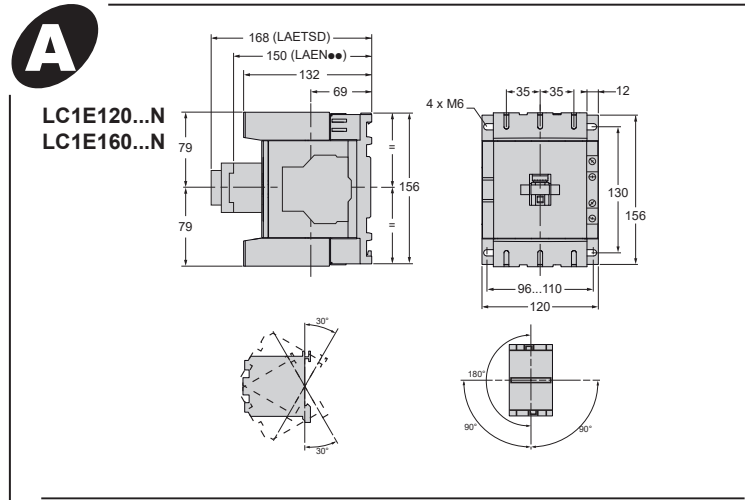
LC1E630...N

mm
in

4 5 6 8
5/32 3/16 15/64 5/16

PZ2/PZ3

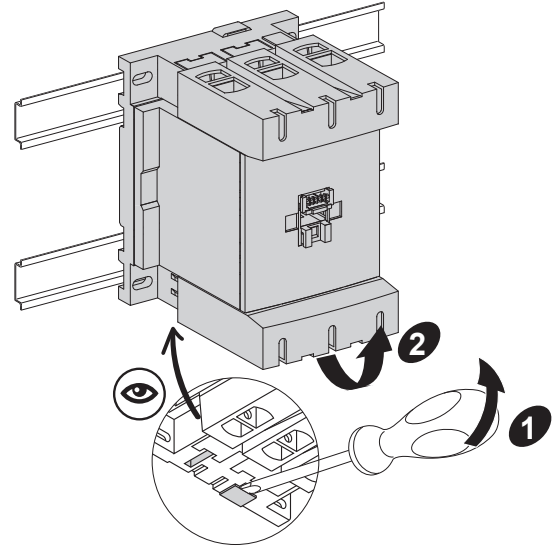
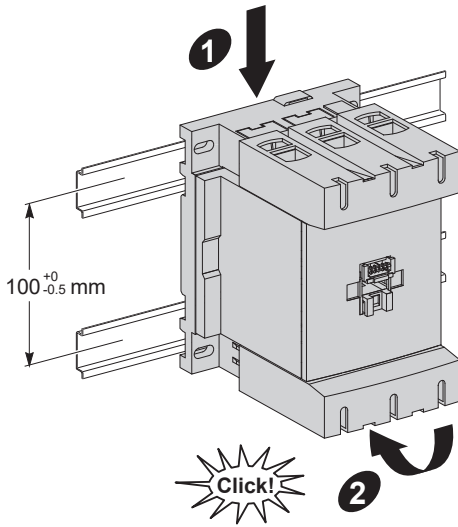
* For Motor Starting Use Schneider Electric Overload Relay Series LR E.
马达起动机请配合施耐德电气的LRE系列热继电器



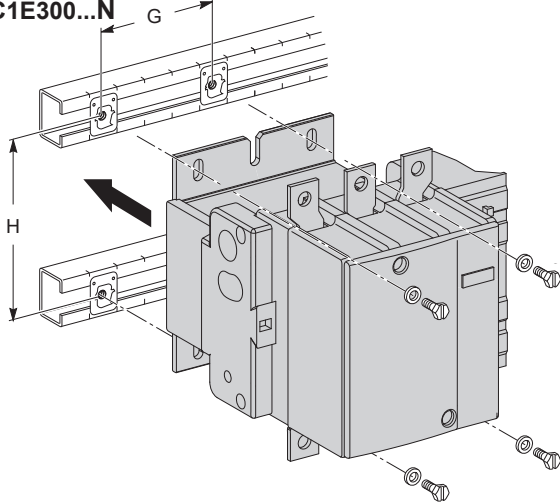
mm	LC1E200...N	LC1E250...N	LC1E300...N	LC1E400...N	LC1E500...N	LC1E630...N
a	168.5	168.5	213	213	233	309
P	40	48	48	48	55	80
Q	29	21	43	43	46	60
Q1	59.5	51.5	74	74	77	89
S	20	25	25	25	30	40
b	174	197	206	206	238	304
b1	137	137	145	209	209	280
M	154	172	181	181	208	264
H	127	127	147	158	172	202
c	181	181	219	219	232	255
L	113.5	113.5	145	145	146	155
f	u130	u130	u147	u146	u150	u181
X1	u 10 (220...500V)			u 15		u20
	u 15 (500...690V)			u 20		u30

B

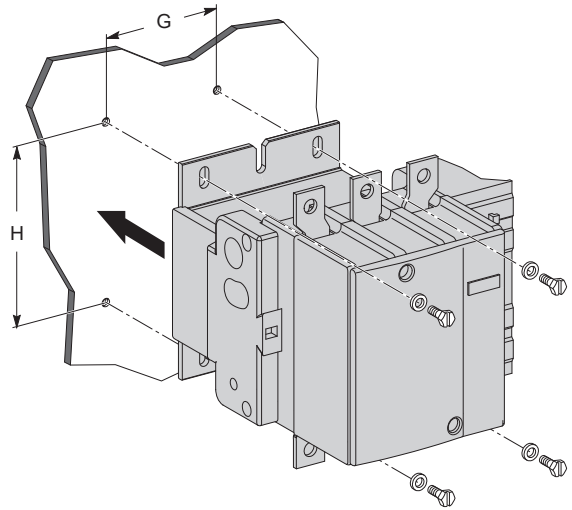
LC1E120...N
LC1E160...N



LC1E200...N LC1E400...N LC1E630...N
LC1E250...N LC1E500...N
LC1E300...N

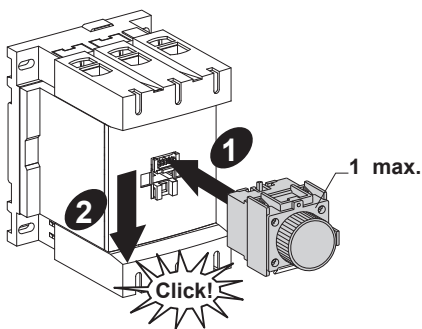


	LC1E200...N LC1E250...N	LC1E300...N	LC1E400...N	LC1E500...N	LC1E630...N
G	80 mm	96 mm	80 mm	140 mm	180 mm
H	110...120 mm		170...180 mm		180...190 mm

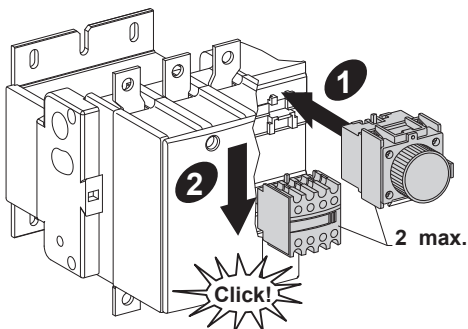


C

LC1E120...N
LC1E160...N



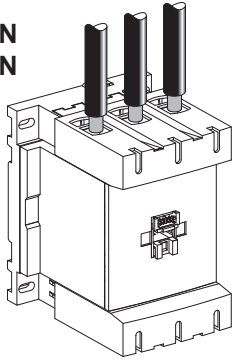
LC1E200...N
LC1E250...N
LC1E300...N
LC1E400...N
LC1E500...N
LC1E630...N



	LAEN11N	$\begin{array}{c} 53/NO \\ 54 \\ 61/NC \\ 62 \end{array}$	1 NO + 1 NC
	LAEN20N	$\begin{array}{c} 53/NO \\ 54 \\ 63/NO \\ 64 \end{array}$	2 NO
	LAEN02N	$\begin{array}{c} 51/NC \\ 52 \\ 61/NC \\ 62 \end{array}$	2 NC
	LAEN22N	$\begin{array}{c} 53/NO \\ 54 \\ 61/NC \\ 62 \\ 71/NC \\ 72 \\ 83/NO \\ 84 \end{array}$	2 NO + 2 NC
	LAETSD	$\begin{array}{c} 55/NC \\ 56 \\ 67/NO \\ 68 \end{array}$	On-delay 1 NO + 1 NC 1...30 s

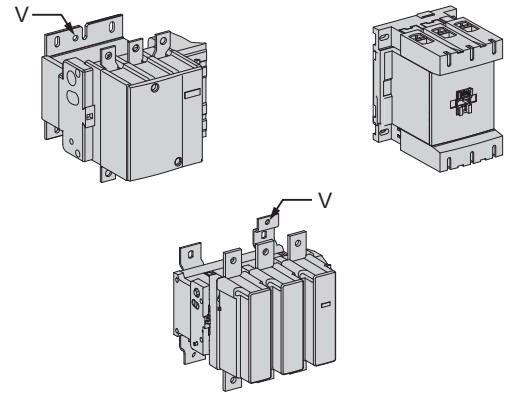
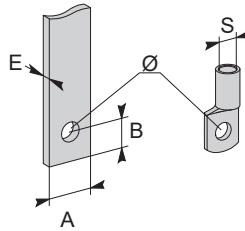
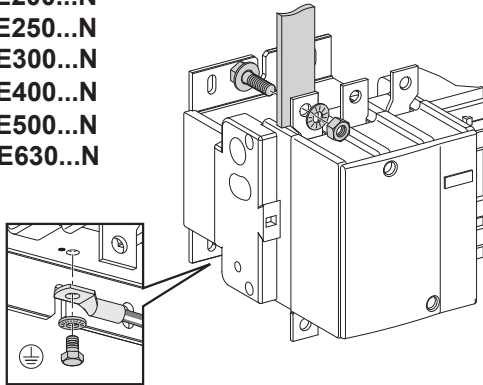
D

LC1E120...N
LC1E160...N

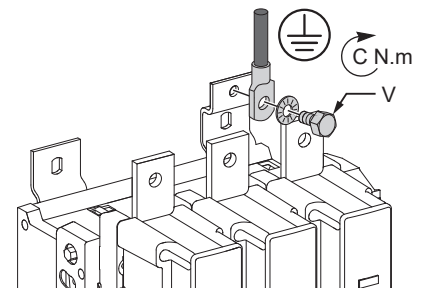


LC1E120...N LC1E160...N	20 mm	10...120 mm ²	10...120 mm ² + 10...50 mm ²	12 N.m		4 mm
LAEX5●● LAEX51●●	10 mm	1...2.5 mm ²	1...2.5 mm ²	1.2 N.m	PH 2	
LAE●●						

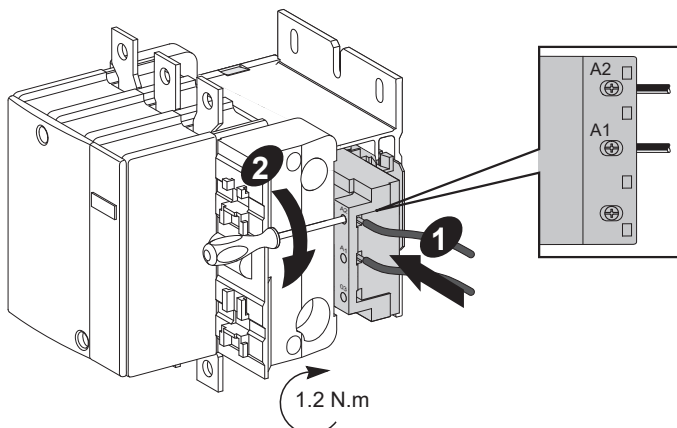
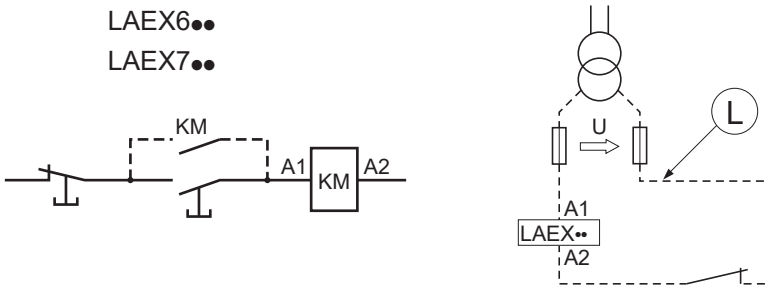
LC1E200...N
LC1E250...N
LC1E300...N
LC1E400...N
LC1E500...N
LC1E630...N



	LC1E200...N	LC1E250...N	LC1E300...N	LC1E400...N	LC1E500...N	LC1E630...N
A (mm)	25	32	30	30	40	60
B (mm)	12.5	15	15	15	20	25
E (mm)	3	4	5	8	10	10
Ø(mm)	9	11	11	11	11	13
S(mm ²)	150	185	240	2X150	2X240	-
V⊥	M8	M10	M10	M10	M10	M12
C(N.m)⊥	10	10	10	35	35	58



LAEX6●●
LAEX7●●



U (V ~)	L max (m)	 (mm ²)
24	4	2.5
48	10	1.5
	20	2.5
110	40	1
	60	1.5
	100	2.5
220 240	150	1
	250	1.5
	400	2.5
380 415 440	500	1
	750	1.5
	1200	2.5

